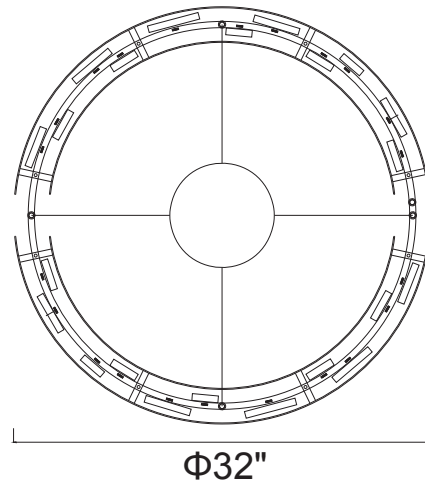
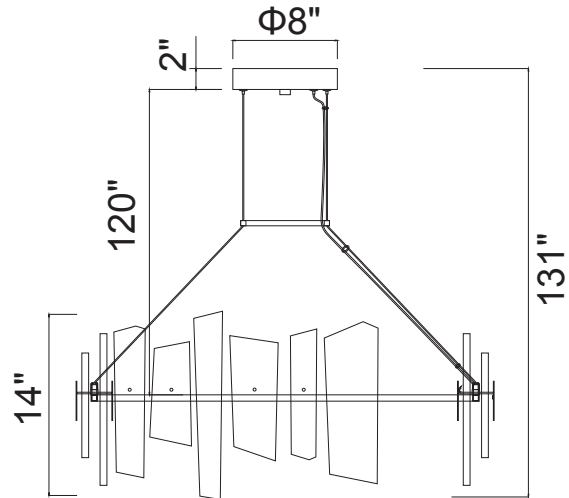




PROJECT: \_\_\_\_\_  
 FIXTURE TYPE: \_\_\_\_\_  
 LOCATION: \_\_\_\_\_  
 CONTACT/PHONE: \_\_\_\_\_



Item	1246P32-602
Collection	GUADIANA
Category	Chandelier
Finish	Satin Gold
Glass	Clear
Crystal	-----
Acrylic	-----

Shade Color	-----
Min Assembled Height	28"
Max Assembled Height	131"
Width	32"
Length	-----
Extension Wall Mounts	-----
Input	120V AC,60HZ,AC

Lumens	2496
Light Source	Integrated LED
Bulb Info.	48W
Included	Yes
Dimmable	Yes
Colour Temp	3000
Weight	47.4 Lbs

CWI Lighting  
 2775 Broadway  
 Buffalo, NY 14227  
 USA

CWI Lighting  
 140 Steelcase Rd. W.  
 Markham ON. L3R 3J9  
 Canada

Dallas Showroom  
 Showroom #: 4707  
 2100 N. Stemmons Frwy.  
 Dallas, TX 75207

Email: [info@cwilighting.com](mailto:info@cwilighting.com)  
 Toll: 1-877-564-6034  
[www.cwilighting.com](http://www.cwilighting.com)

