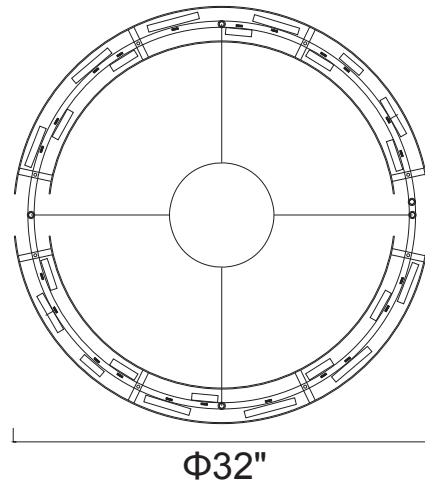
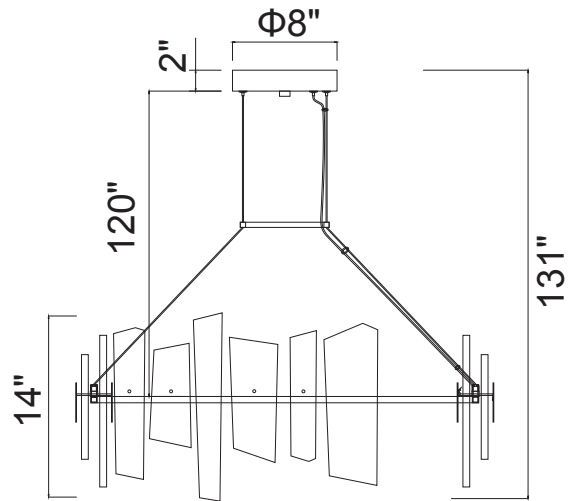




PROJECT: _____
 FIXTURE TYPE: _____
 LOCATION: _____
 CONTACT/PHONE: _____



Item	1246P32-101
Collection	GUADIANA
Category	Chandelier
Finish	Black & Satin Gold
Glass	Clear
Crystal	-----
Acrylic	-----

Shade Color	-----
Min Assembled Height	28"
Max Assembled Height	131"
Width	32"
Length	-----
Extension Wall Mounts	-----
Input	120V AC,60HZ,AC

Lumens	2496
Light Source	Integrated LED
Bulb Info.	48W
Included	Yes
Dimmable	Yes
Colour Temp	3000
Weight	47.4 Lbs

CWI Lighting
 2775 Broadway
 Buffalo, NY 14227
 USA

CWI Lighting
 140 Steelcase Rd. W.
 Markham ON. L3R 3J9
 Canada

Dallas Showroom
 Showroom #: 4707
 2100 N. Stemmons Frwy.
 Dallas, TX 75207

Email: info@cwilighting.com
 Toll: 1-877-564-6034
www.cwilighting.com

