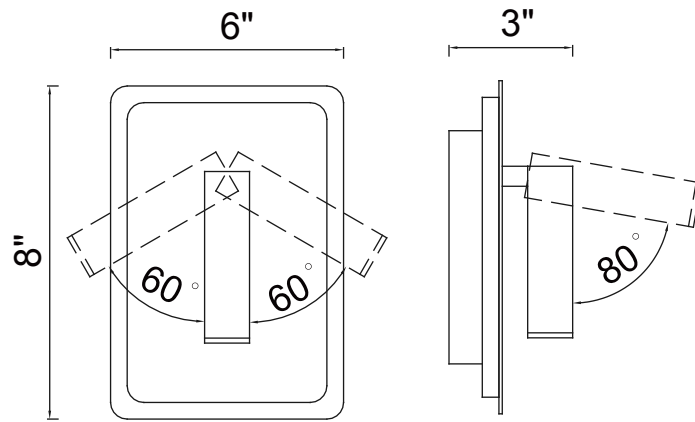




PROJECT: \_\_\_\_\_  
 FIXTURE TYPE: \_\_\_\_\_  
 LOCATION: \_\_\_\_\_  
 CONTACT/PHONE: \_\_\_\_\_



Item	1243W6-103
Collection	Private I
Category	Wall Sconce
Finish	Matte White
Glass	-----
Crystal	-----
Acrylic	Frosted

Shade Color	-----
Min Assembled Height	8"
Max Assembled Height	8"
Width	6"
Length	-----
Extension Wall Mounts	3"
Input	120V AC,60HZ,AC

Lumens	312
Light Source	Integrated LED
Bulb Info.	6W
Included	Yes
Dimmable	Yes
Colour Temp	3000
Weight	0.11 Lbs

CWI Lighting  
 2775 Broadway  
 Buffalo, NY 14227  
 USA

CWI Lighting  
 140 Steelcase Rd. W.  
 Markham ON. L3R 3J9  
 Canada

Dallas Showroom  
 Showroom #: 4707  
 2100 N. Stemmons Frwy.  
 Dallas, TX 75207

Email: [info@cwilighting.com](mailto:info@cwilighting.com)  
 Toll: 1-877-564-6034  
[www.cwilighting.com](http://www.cwilighting.com)

